

Monitor Switch Options

4591M

Paddle without latch drive mechanism but with switch that can be wired to make or break a low voltage circuit.

4591MA

Same switch in a complete active paddle with latch

91-0914 Monitor Switch Kit

Adds monitor switch function to any 4591.

Paddle

Extruded aluminum, 628 Clear Anodized finish (US28). 313 Dark Bronze Anodized and 335 Black Anodized also available. US3 Bright Brass, US26 Bright Chrome or US26D Satin Chrome plating also available.

Function

An alternative to knob or lever handles. Makes opening a latched door as natural as opening an unlatched one - just push or pull in the direction the door swings. Available for any Adams Rite Series 4500/4900 deadlatch or MS+1890/2190 lock/latch.

Paddle Dogging ("Push" versions only)

Turning hex key in escutcheon holds the paddle down, leaving door free-swinging. Dogging key provided.

Cam Plug

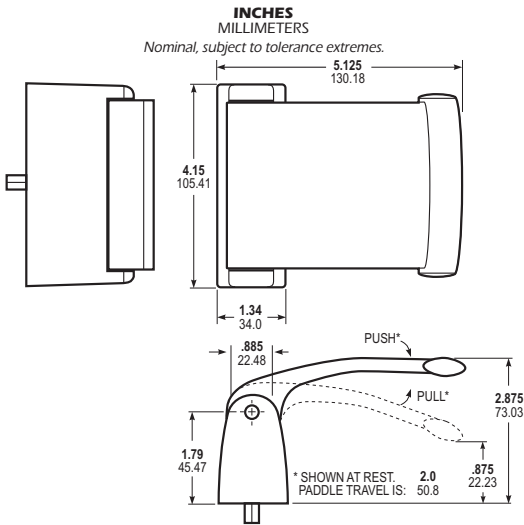
Furnished for use with Series 4500/4900 latches. (Not used with MS+1890/2190 lock/latch.) Secured in latch body by cylinder setscrew, plug is also rigidly tied to escutcheon by hardened steel pins.

Escutcheon

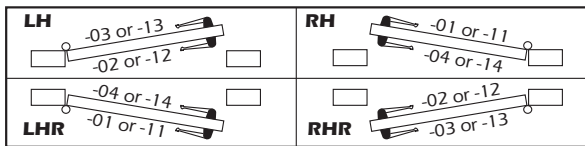
Zinc alloy with Black Ritecoat finish. Houses steel operating mechanism. Secured to door stile with special binder posts that extend into the escutcheon to rigidly resist torque loads in any direction.

Operation

Available in four modes: Push to left, Push to right, Pull to left and Pull to right. Can be reconfigured to any mode in the field. Dogging not to be installed in pull configuration.



FIRST DASH	FOR LATCH SERIES	OPERATION	USE:
-01	4500, 4900	PULL TO LEFT	Outside of left hand reverse door or inside of right hand.
-02	4500, 4900	PUSH TO LEFT	Outside of left hand door or inside of right hand reverse.
-03	4500, 4900	PULL TO RIGHT	Outside of right hand reverse door or inside of left hand.
-04	4500, 4900	PUSH TO RIGHT	Outside of right hand door or inside of left hand reverse.



Specify quantity and the following information.

Options
 Paddle w/switch only
 Active paddle w/switch
 Standard Paddle

Operation
 See Table above for Dash Number

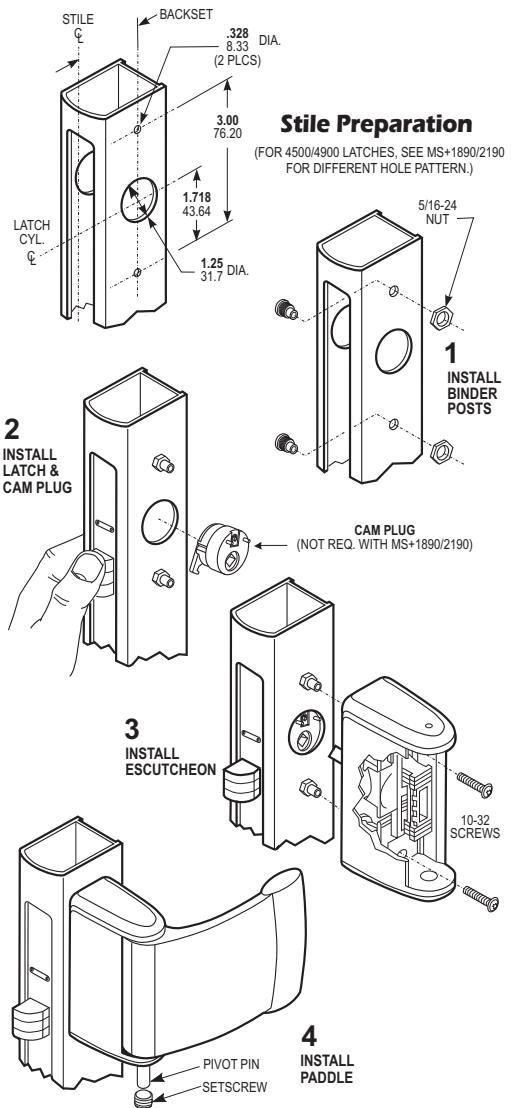
Door Thickness For MS+1890/2190
 1-3/4" - 2-1/4"
 2-5/16" - 2-1/2"
 2-9/16" - 2-3/4"

4591 M 02-00-313

** Paddle Only

Door Thickness for 4500/4900
 1-3/4"
 1-13/16" - 2"
 2-1/4" - 2-1/2"
 2-3/4" - 3"
 3-1/4"

Finish**
 Clear Anodized
 Dark Bronze Anod.
 Black Anodized
 Bright Brass
 Bright Chrome
 Satin Chrome



First dash number specifies operation (handing) and compatible latch. Second dash number can be used to specify non-standard units for doors thicker than 1-3/4". Also available: 4591M paddle/switch to actuate magnetic lock, alarm, etc. (No latch retracting mechanism.) 4591MA active paddle with switch and latch retracting mechanism. Two-point latch 4781 (page SW-29) uses a modified, but matching version of 4591.

Individually boxed with dogging hex key and mounting hardware. Units for 4500/4900 Series latches include cam plug. Shipping weight: 1- 1/2 lbs.